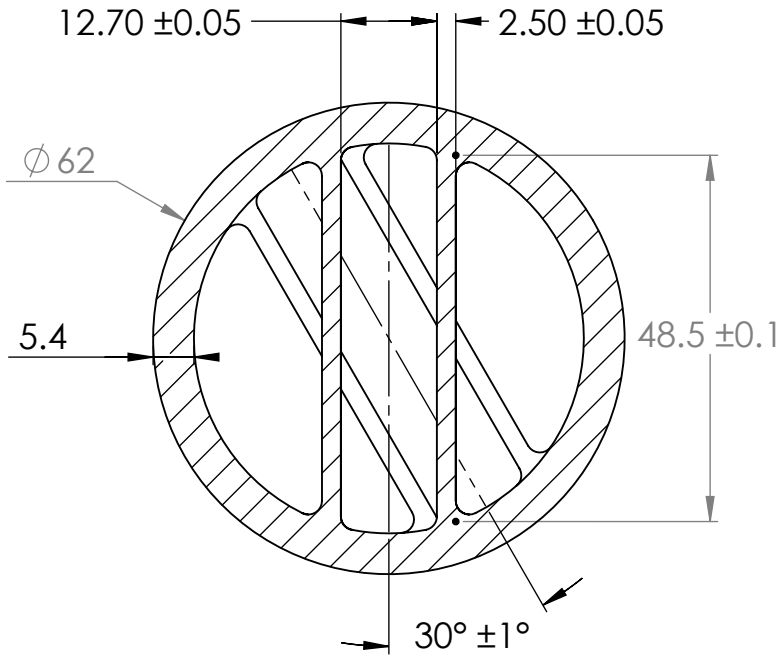
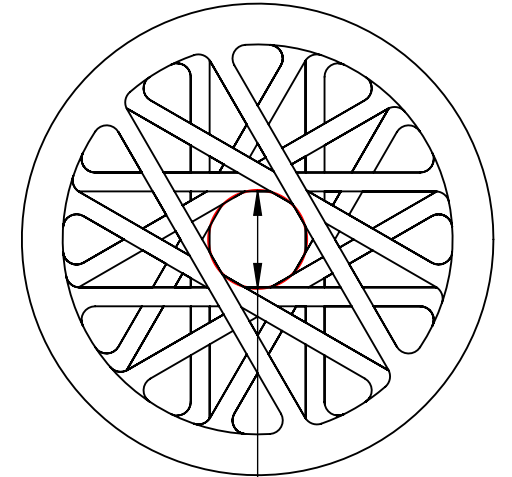
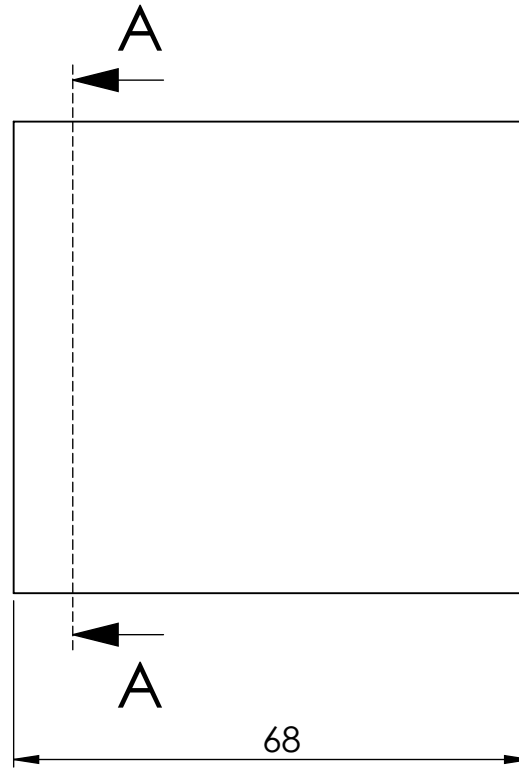


2

1



**TYPICAL BEAM-PAIR DETAILS**  
SECTION A-A  
SCALE 1 : 1

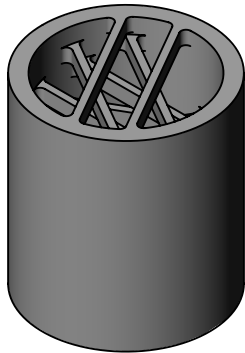


B

B

A

A



REQUIRED  
PRINT DIRECTION

SOLIDWORKS Educational Product. For Instructional Use Only

UNLESS OTHERWISE SPECIFIED:

DIMENSIONS ARE IN MM  
TOLERANCES:  
FRACTIONAL ±  
ANGULAR: MACH ± BEND ±  
NO DECIMAL ± 1  
ONE PLACE DECIMAL ± 0.5  
TWO PLACE DECIMAL ± 0.05

MATERIAL  
STRATASYS ABS-M30

DO NOT SCALE DRAWING

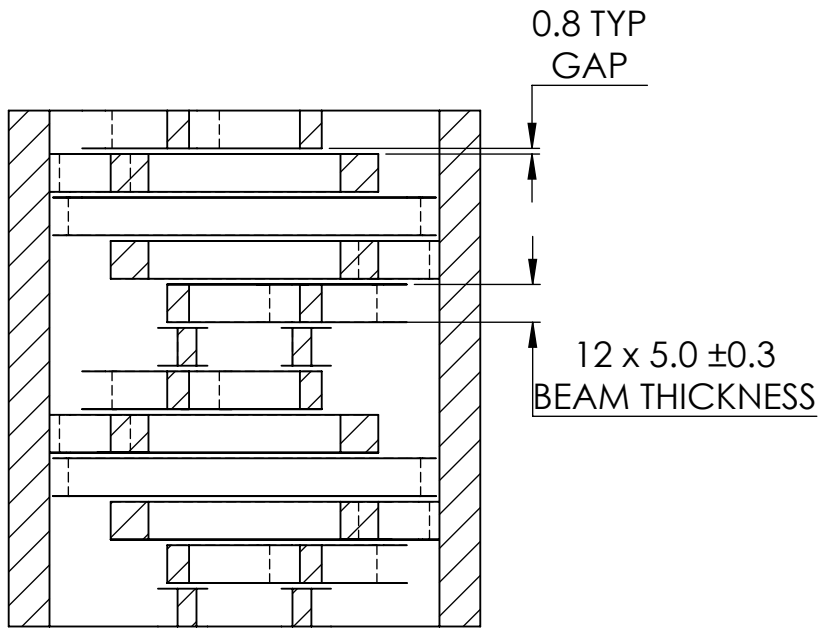
	NAME	DATE
DRAWN	SRS	2/28/18
CHECKED		
ENG APPR.		
MFG APPR.		
Q.A.		

COMMENTS:  
TO BE PRINTED  
ONLY ON FORTUS  
360MC

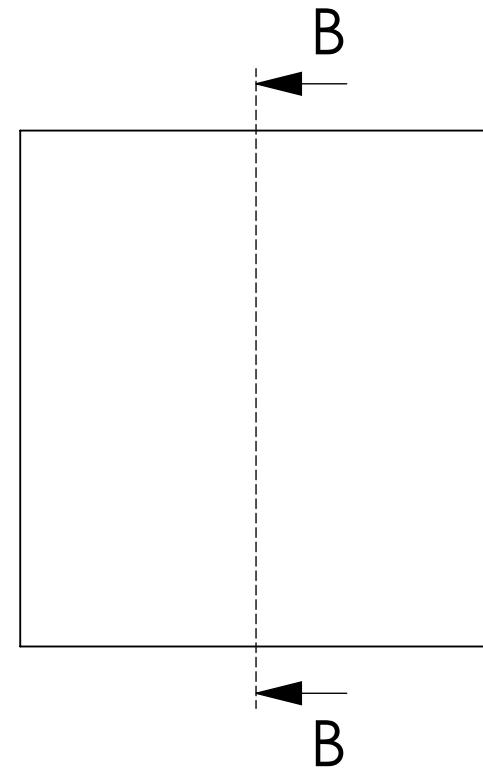
2.77 - FUNDAMENTALS OF PMD		
TITLE: CANADIAN FINGER TRAP		
SIZE <b>A</b>	DWG. NO. EAC_01	REV 1
SCALE: 1:2	SHEET 1 OF 2	

2

1



**COUPLER CROSS-SECTION**  
SECTION B-B  
SCALE 1 : 1



UNLESS OTHERWISE SPECIFIED:

DIMENSIONS ARE IN MM  
TOLERANCES:  
FRACTIONAL ±  
ANGULAR: MACH ± BEND ±  
NO DECIMAL ± 1  
ONE PLACE DECIMAL ± 0.5  
TWO PLACE DECIMAL ± 0.05

MATERIAL  
STRATASYS ABS-M30

DO NOT SCALE DRAWING

	NAME	DATE
DRAWN	SRS	2/28/18
CHECKED		
ENG APPR.		
MFG APPR.		
Q.A.		

COMMENTS:

TO BE PRINTED  
ONLY ON FORTUS  
360MC

2.77 - FUNDAMENTALS OF PMD

TITLE:

CANADIAN FINGER TRAP

SIZE	DWG. NO.	REV
<b>A</b>	EAC_02	1

SCALE: 1:2

SHEET 2 OF 2